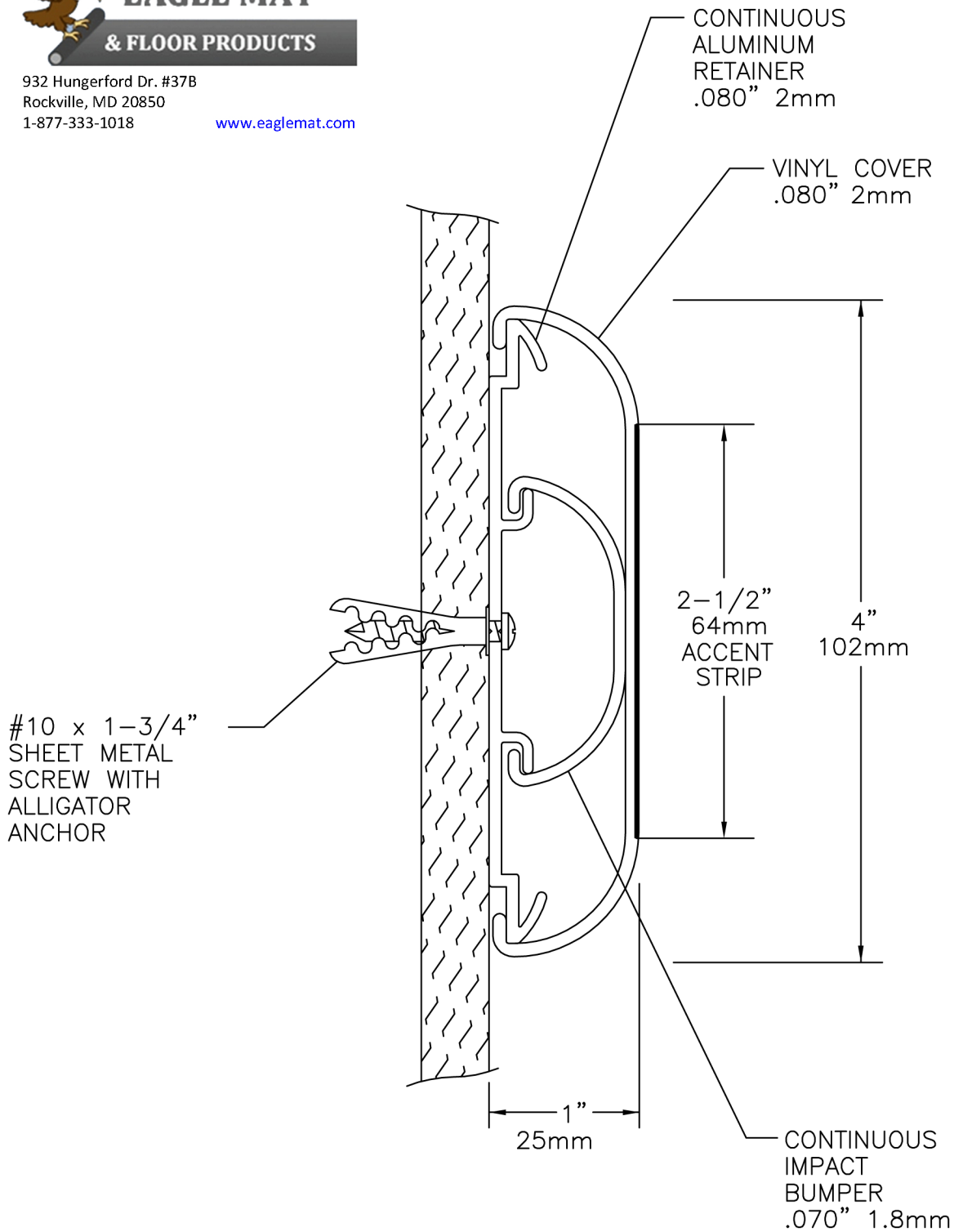




EAGLE MAT
& FLOOR PRODUCTS

932 Hungerford Dr. #37B
 Rockville, MD 20850
 1-877-333-1018

www.eaglemat.com



DATE: NOVEMBER 8, 2002

DRAWN BY: JAD

DRAWING NO.: 1400-WG

4" Chair Rail Wall Guard



EAGLE MAT
& FLOOR PRODUCTS