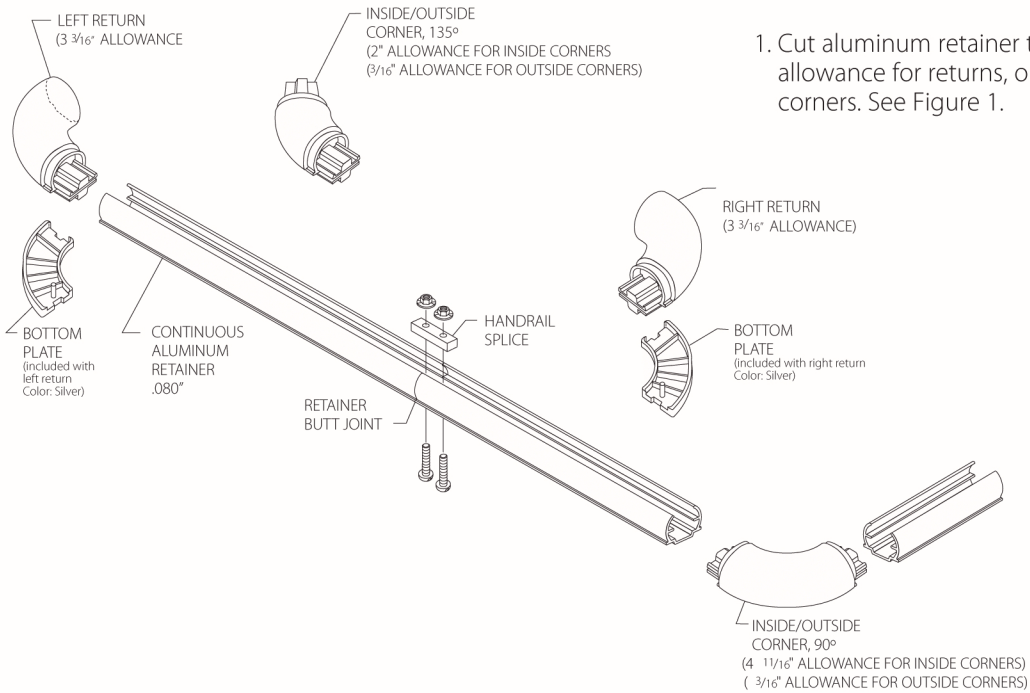


Installation Instructions

900/900W/G2-900 Handrail

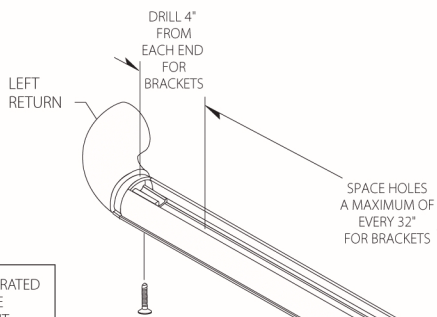
FIG. 1



Please read all instructions before installing handrail.

1. Cut aluminum retainer to desired length, leaving allowance for returns, outside corners and inside corners. See Figure 1.

FIG. 2



2. Drill holes in centerline of aluminum retainer for brackets using 1/4" drill bit. Attach returns, inside corners and outside corners to retainer.

See Figure 2.

a. Plastic Brackets - Attach brackets to retainer.

See Figure 2a.

b. Stainless Steel Brackets - Slip stainless steel cover over post. Insert post through retainer hole and attach. See Figure 2b.

FIG. 2a

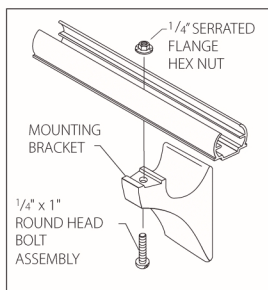
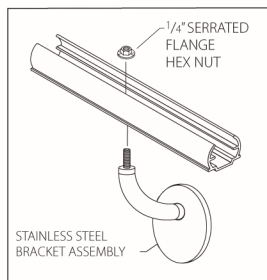


FIG. 2b



#8 X 1" PHILLIPS ROUND WASHER HEAD SELF-DRILLING SCREW, #2 PT

INSIDE/OUTSIDE CORNER



EAGLE MAT
& FLOOR PRODUCTS

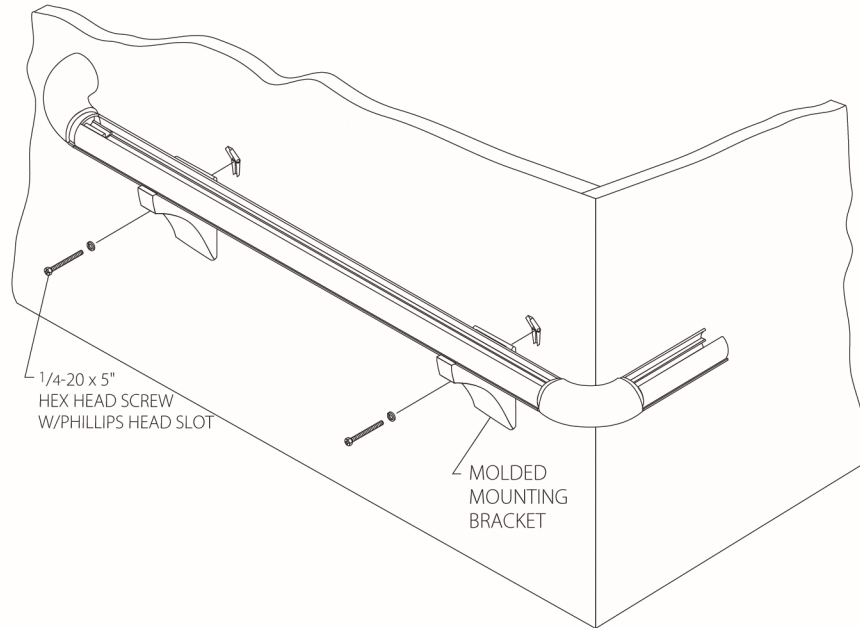
932 Hungerford Dr. #37B
Rockville, MD 20850
1-877-333-1018

www.eaglemat.com

Installation Instructions

900/900W/G2-900 Handrail

FIG. 3



- Position retainer against wall at desired height. Level and mark bracket holes on wall. Drill marked holes with 3/4" drill bit for toggle bolts (drywall installation) or 1/2" drill bit for lead anchor (concrete wall installation). Loosely attach mounting bolts to the brackets. Mount on wall, level retainer and tighten screws to secure. See Figure 3.

NOTE: For stainless steel bracket, snap cover over mounting base when retainer is secure. See Figure 3a.

FIG. 3a

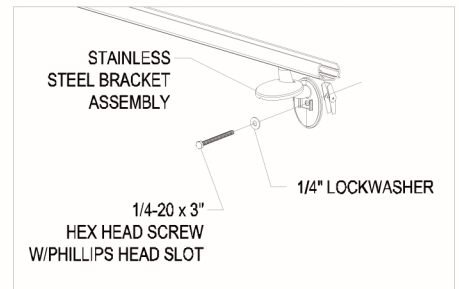
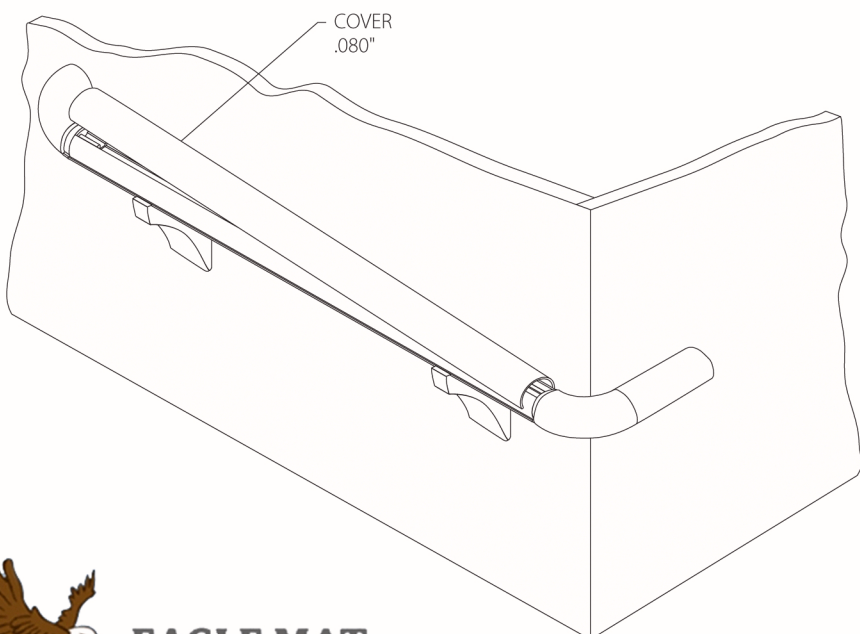


FIG. 4



- Cut cover to length between returns and/or corners. (Note: Trim factory edges square before installation). Position cover on retainer at one end and work to the other end by snapping the cover over the retainer. See Figure 4.

NOTE: Returns should be secured to the wall. Remove bottom plate and fasten installer supplied screws through hole located in the return. Re-attach bottom plate. See Figure 5.

FIG. 5

