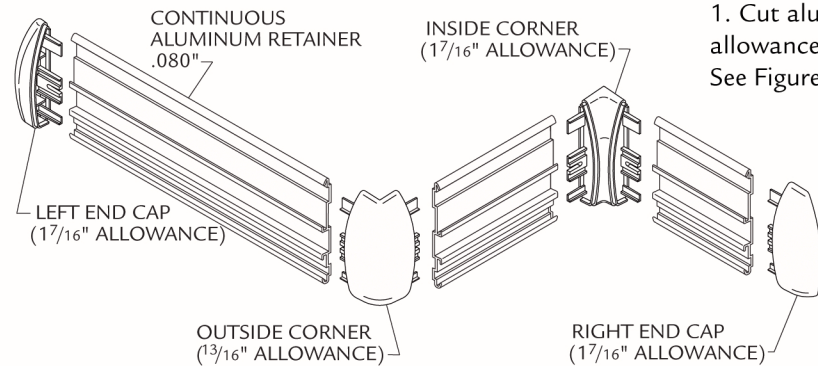


Installation Instructions

Model: 5" Silhouette Chair Rail Wall Guard

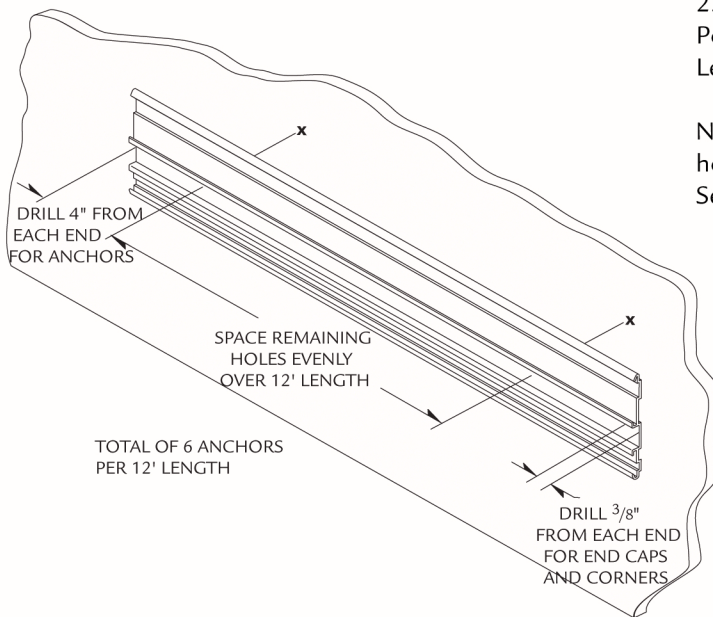
FIG. 1

Please read all instructions before installing wall guard.



1. Cut aluminum retainer to desired length, leaving allowance for end caps, inside corners and outside corners. See Figure 1.

FIG. 2



2. Drill holes in centerline of retainer using $\frac{1}{4}$ " drill bit. Position retainer on wall allowing for end caps/corners. Level and mark holes.

NOTE: For concrete or brick wall installation, drill $\frac{1}{4}$ " holes, $\frac{3}{8}$ " from each end of retainer for end caps/corners. See Figure 2.



EAGLE MAT
& FLOOR PRODUCTS

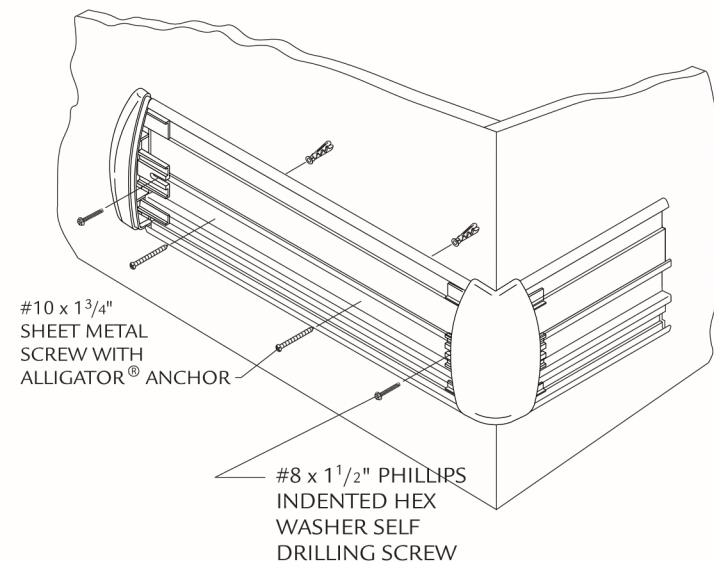
932 Hungerford Dr. #37B
Rockville, MD 20850
1-877-333-1018

www.eaglemat.com

Installation Instructions

Model: 5" Silhouette Chair Rail Wall Guard

FIG. 3

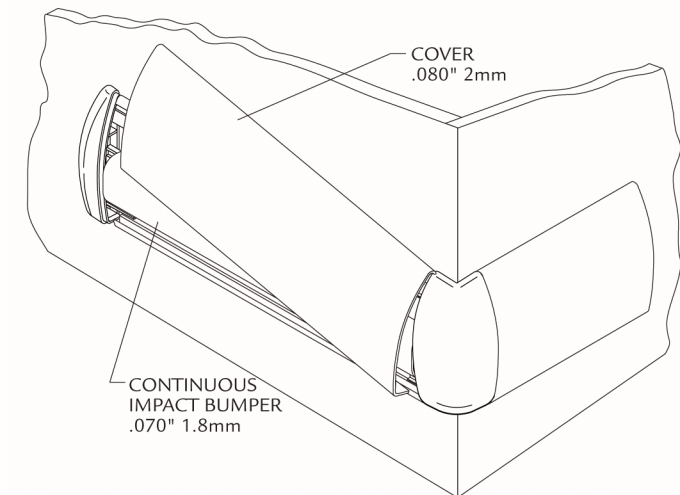


3. Drill marked holes on wall using a 1/4" drill bit and position Alligator anchors into holes. Mount retainer on wall and tighten screws to secure. Slide end caps and corners onto the retainer and secure, leaving a 1/16" gap between returns/corners and retainer to allow for adjustment. See Figure 3.

NOTE: For concrete or brick wall installation, use #10 x 1 3/4" Phillips pan head screws to secure end caps and corners.

NOTE: If rubber spacers are used, attach them behind the retainer at all mounting hole locations, including those for end caps and corners.

FIG. 4



4. Cut the impact bumper to the length between the inside edge of the end caps/corners. Position and snap bumper in place. Cut the cover to length between end caps and/or corners. (Note: Trim factory edges square before installation). Position cover on retainer and adjust returns and/or corners for a tight fit. Starting at one end, push cover over the retainer until it snaps into place. See Figure 4.



EAGLE MAT
& FLOOR PRODUCTS

932 Hungerford Dr. #37B
Rockville, MD 20850
1-877-333-1018

www.eaglemat.com