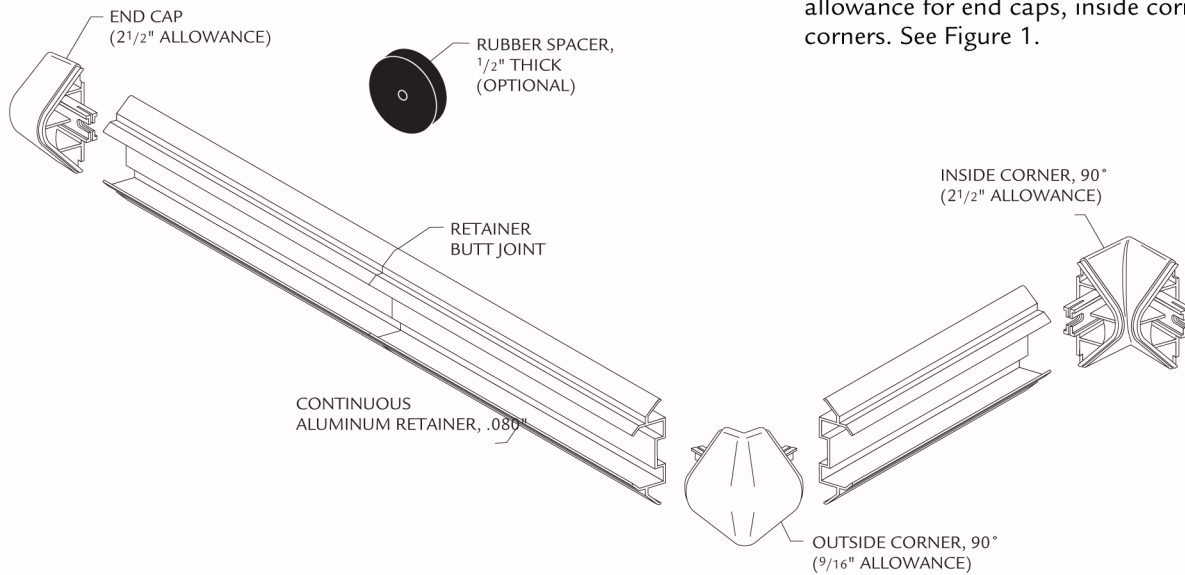


# Installation Instructions

## Model: 4-1/16" Chair Rail Wall Guard

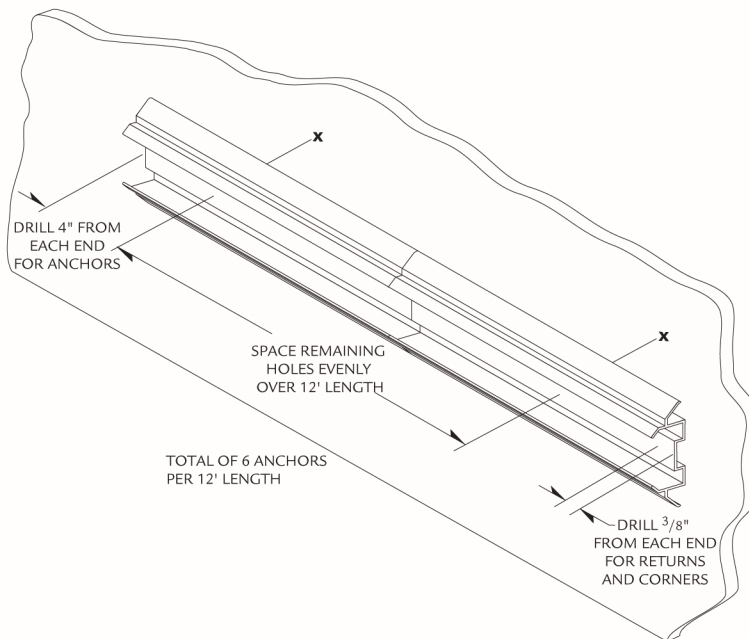
FIG. 1



Please read all instructions before installing wall guard.

1. Cut aluminum retainer to desired length, leaving allowance for end caps, inside corners and outside corners. See Figure 1.

FIG. 2



2. Drill holes in centerline of retainer using 1/4" drill bit. Position retainer on wall allowing for end caps/corners. Level and mark anchor holes. See Figure 2.



**EAGLE MAT**  
& FLOOR PRODUCTS

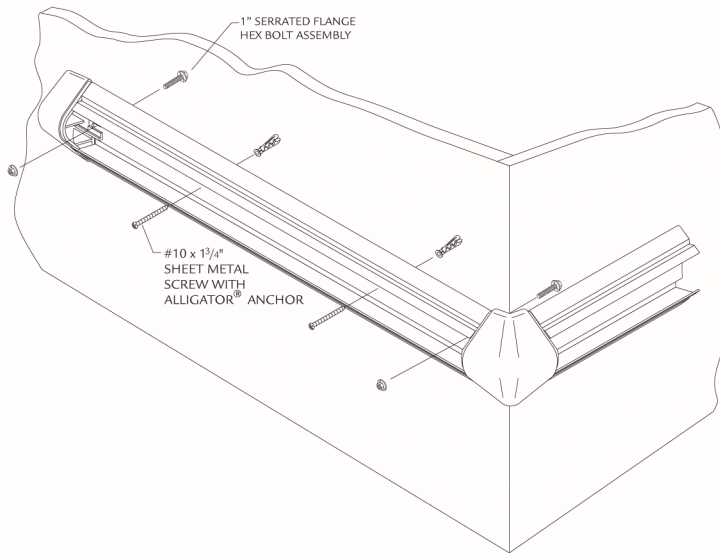
932 Hungerford Dr. #37B  
Rockville, MD 20850  
1-877-333-1018

[www.eaglemat.com](http://www.eaglemat.com)

# Installation Instructions

## Model: 4-1/16" Chair Rail Wall Guard

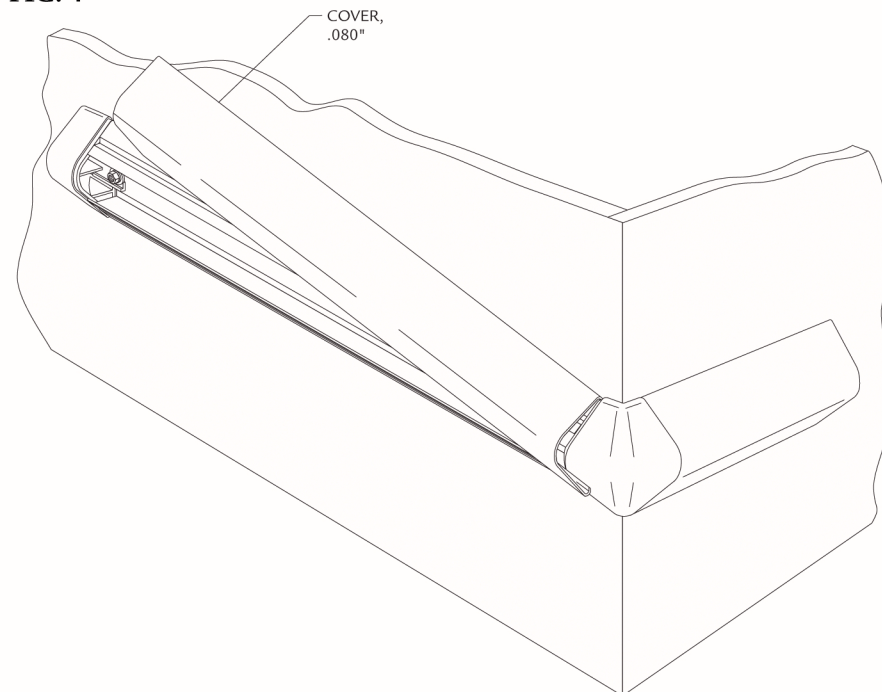
FIG. 3



3. Drill marked holes on wall using a 1/4" drill bit and position Alligator anchors into holes. Slide end caps and corners onto the retainer and secure, leaving a 1/16" gap between end caps/corners and retainer to allow for adjustment. Mount assembled retainer on wall and tighten screws to secure. See Figure 3.

NOTE: If rubber spacers are used, attach them behind the retainer at all mounting hole locations including those for end caps and corners.

FIG. 4



4. Cut the cover to length between returns and/or corners.

NOTE: Trim factory edges square before installation.

Position cover on retainer and adjust returns and/or corners for a tight fit. Starting at one end, push cover onto retainer until it snaps into place.

See Figure 4.



**EAGLE MAT**  
& FLOOR PRODUCTS

932 Hungerford Dr. #37B  
Rockville, MD 20850  
1-877-333-1018

[www.eaglemat.com](http://www.eaglemat.com)