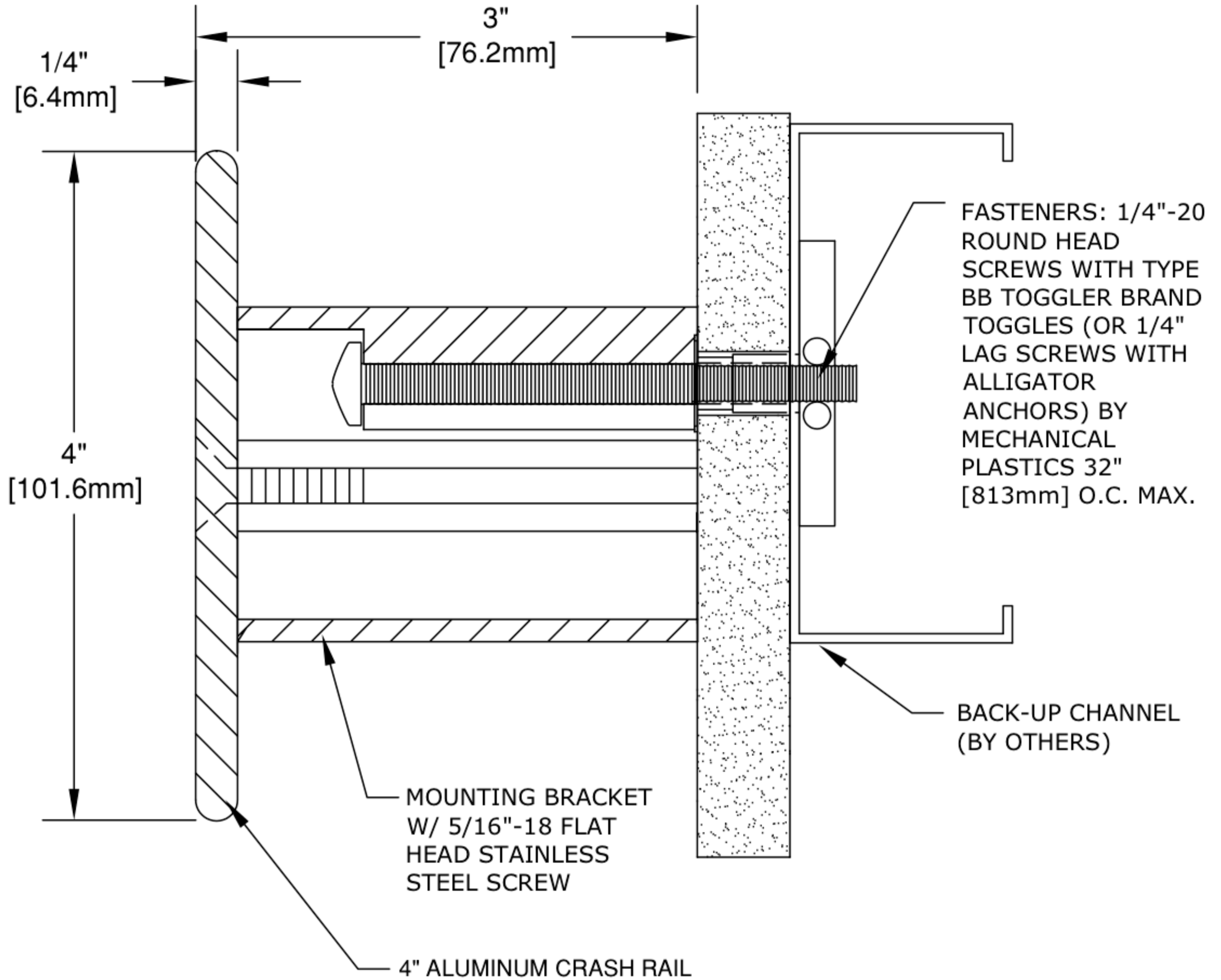



# Wallwear® Integrated Wall Protection Systems



## 4" Aluminum Chair Rail Wall Guard

**IMPORTANT:** USER SHALL VERIFY CONFORMANCE OF ALL CONSTRUCTIONS SHOWN WITH LOCAL CODES AND WITH REQUIREMENTS OF METAL STUD MANUFACTURER FOR RATINGS. FASTENERS AND PARTITION COMPONENTS NOT BY ARDEN ARCHITECTURAL SPECIALTIES, INC.

|   |         |  |        |
|---|---------|--|--------|
| CRASH RAILS   |         | DATE:  | SCALE: |
| <u>GENERAL SPECIFICATION:</u><br><u>CRASH RAIL: ALUMINUM ALLOY TYPE 6063-T5; CLEAR ANODIZED FINISH</u><br><u>BRACKETS: ALUMINUM ALLOY TYPE 6063-T5, CLEAR ANODIZED FINISH</u><br><u>CONTINUOUS LENGTH AVAILABLE: 12' [3.658M] MAX.</u><br><u>RETURNS: ALUMINUM ALLOY TYPE 6063-T5 PRECUT &amp; DRILLED FOR FIELD INSTALLATION</u> |         | PROJECT:<br><br>ARCHITECT:<br><br>CONTRACTOR:<br><br>REPRESENTATIVE:   |        |
| <u>Notes:</u>   |         | <br><b>EAGLE MAT</b><br><b>&amp; FLOOR PRODUCTS</b><br><small>932 Hungerford Drive, Suite 37-B<br/>         Rockville, MD 20850<br/>         Phone: (301) 762-2000 Fax: (301) 762-2477<br/>         E-mail: sales@eaglemat.com www.eaglemat.com</small> |        |
| CUSTOMER:   |         |  |        |
| CUST. NO:   | JOB NO: | SHEET OF   |        |