

Installation Instructions

Stainless Steel Kickplate

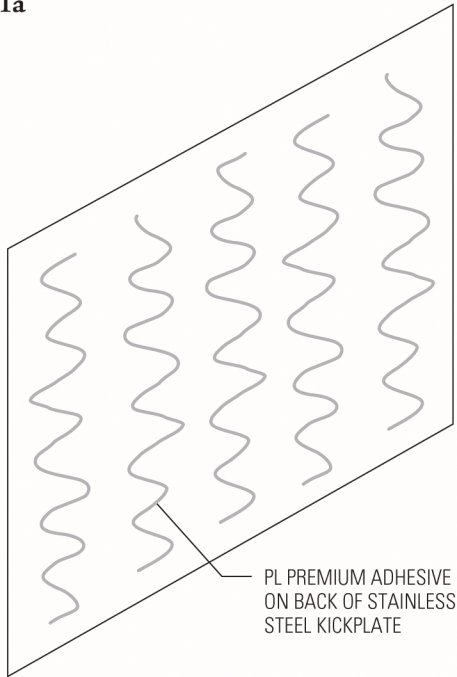
Models 130, 130E, 130GS, 130GSE



932 Hungerford Dr. #37B
Rockville, MD 20850
1-877-333-1018

www.eaglemat.com

FIG. 1a



Please read all instructions before installing kickplate.

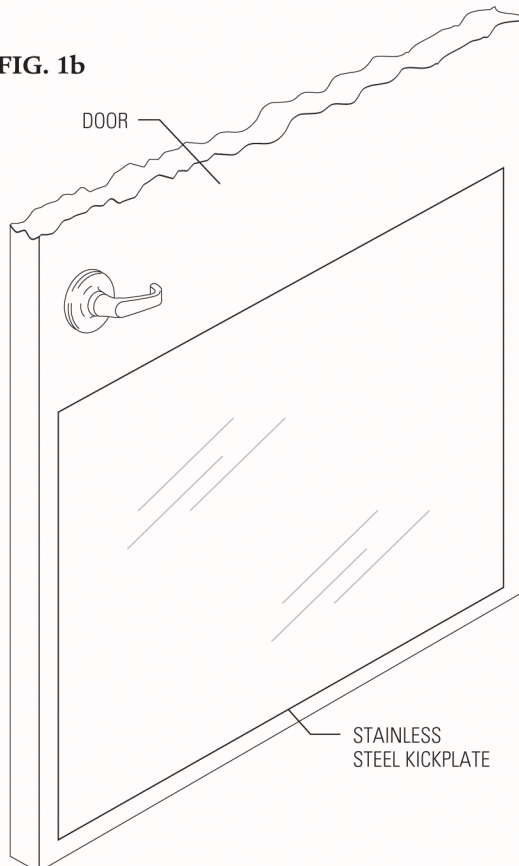
Material must be stored, installed and used in environmentally controlled conditions.

1. The door surface must be dry and free of dirt, dust, oil, loose pain, wax and grease.
2. CEMENT-ON INSTALLATION

Apply a bead of PL Premium Heavy Duty Adhesive in a zig-zag pattern over the back of the kickplate. See Figure 1a.

Position the kickplate on the door and apply pressure until a tight fit is achieved. Remove the protective plastic coating from the exposed surface of the kickplate. See Figure 1b.

FIG. 1b



Installation Instructions

Stainless Steel Kickplate

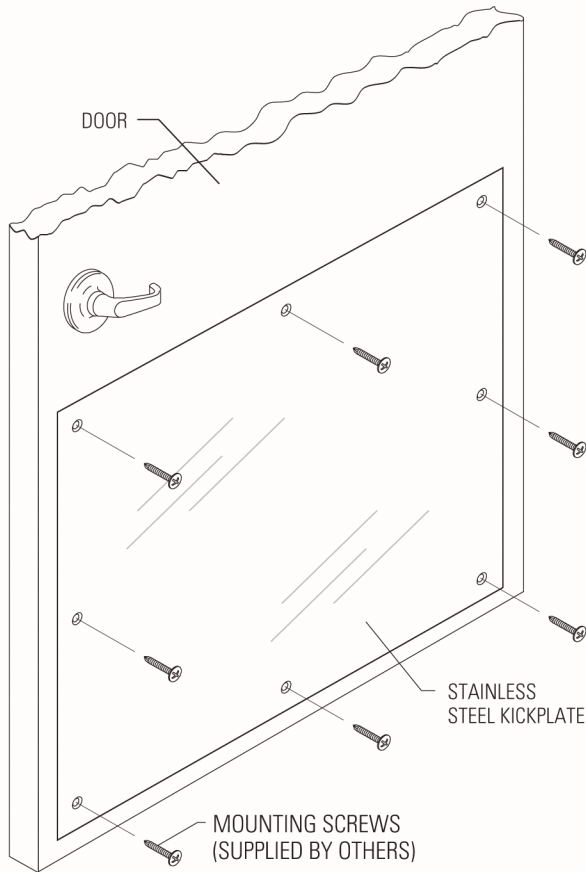
Models 130, 130E, 130GS, 130GSE



932 Hungerford Dr. #37B
Rockville, MD 20850
1-877-333-1018

www.eaglemat.com

FIG. 2



3. SCREW-ON INSTALLATION

Attach kickplate to door with provided hardware. Remove the protective plastic coating from the exposed surface of the kickplate. See Figure 2.

