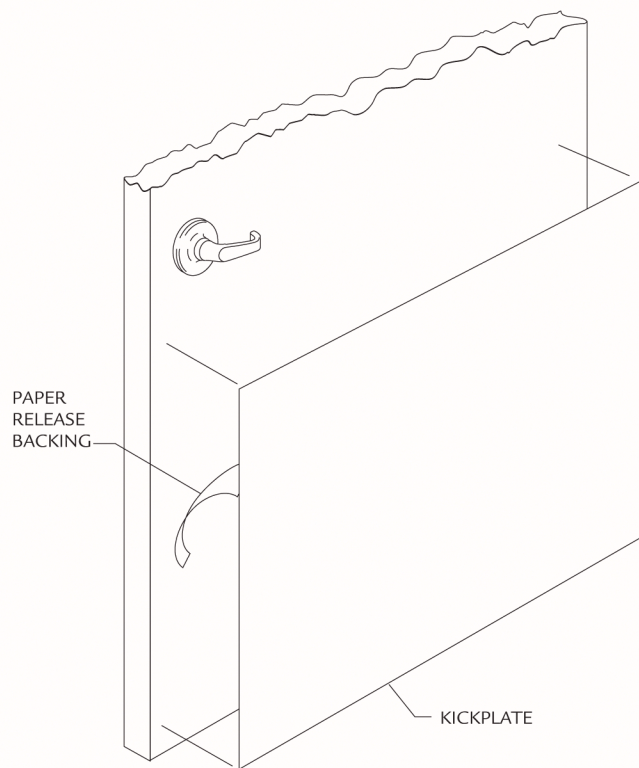


Installation Instructions

Rigid Vinyl or G2 Series Kickplate

FIG. 1



Please read all instructions before installing kickplate.

Material must be stored, installed and used in environmentally controlled conditions.

1. BEFORE INSTALLATION:

- Acclimate rigid kickplates, adhesives and door substrates to room temperature 24 hours before installation
- Allow rigid kickplates to lie flat 24 hours before installation
- 24 hours before, during and 48 hours after installation, maintain a building temperature between 70-80°F and keep humidity below 80%
- Substrate must be dry, well sealed and free of dirt, loose paint, wax and grease. Glossy surfaces may require sanding or priming to help promote adhesion.
- Do not install rigid kickplates on the interior side of an exterior door, in direct sunlight, direct high heat areas or where temperatures are not stable.
- Rolled Kickplates – Unroll kickplates immediately upon receipt of product. If roll set occurs, reverse roll kickplates until they lay flat.

2. CHECK DOOR CONDITIONS

Newly painted or varnished doors can be dry to the touch but may not be dry enough for installation. Check with the paint or varnish manufacturer for proper drying/curing times.

Testing for paint moisture sensitivity: Hold a wet sponge or cloth to the paint surface for 15 seconds, then rub vigorously with a cloth. If no paint or a slight amount of paint is removed the paint should be sound.

Testing paint and varnish for adhesion: Cut three small X's into the finished surface then apply a piece of clear cellophane tape over the X's. Quickly remove the tape. Inspect for any paint or varnish on the tape. No flaking indicates good adhesion.

3. TAPE-ON INSTALLATION

Peel paper release backing from the kickplate and position on the door. Apply pressure with an IPC extension roller over the entire surface to eliminate air pockets and ensure complete adhesion. See Figure 1.



EAGLE MAT
& FLOOR PRODUCTS

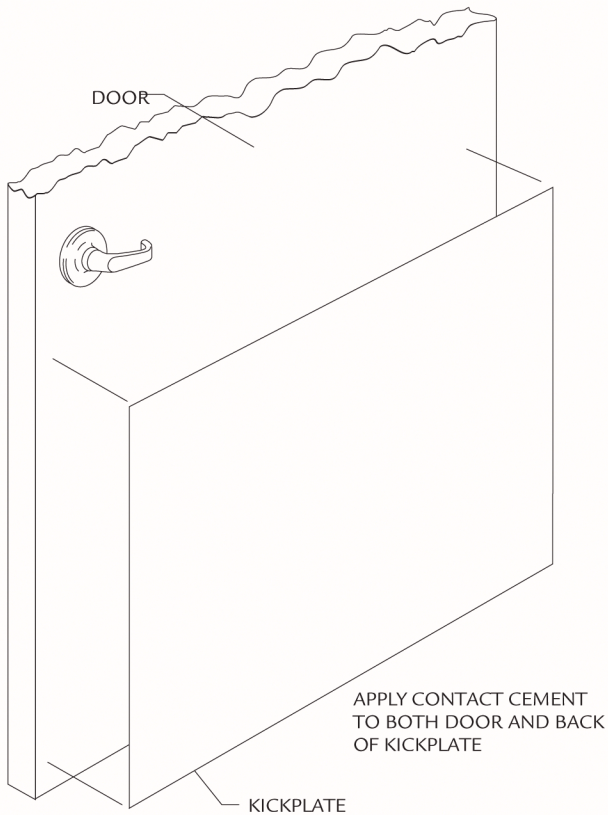
932 Hungerford Dr. #37B
Rockville, MD 20850
1-877-333-1018

www.eaglemat.com

Installation Instructions

Rigid Vinyl or G2 Series Kickplate

FIG. 2



4. FASTBOND 30 CONTACT CEMENT INSTALLATION

Kickplates larger than 16 square feet require Fastbond 30 Contact Cement for proper adhesion. (see container for complete instructions and precautions)

Apply contact cement with brush or roller to the door and the back of the kickplate. Let the contact cement dry completely. After contact cement is dry, the installation must be completed within four hours. Properly position the kickplate on the door. Apply pressure to the kickplate with an IPC extension roller over the entire surface of the kickplate to eliminate air pockets and ensure complete adhesion. See Figure 2.



EAGLE MAT
& FLOOR PRODUCTS

932 Hungerford Dr. #37B
Rockville, MD 20850
1-877-333-1018

www.eaglemat.com